

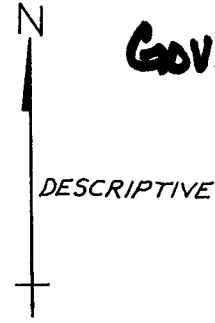
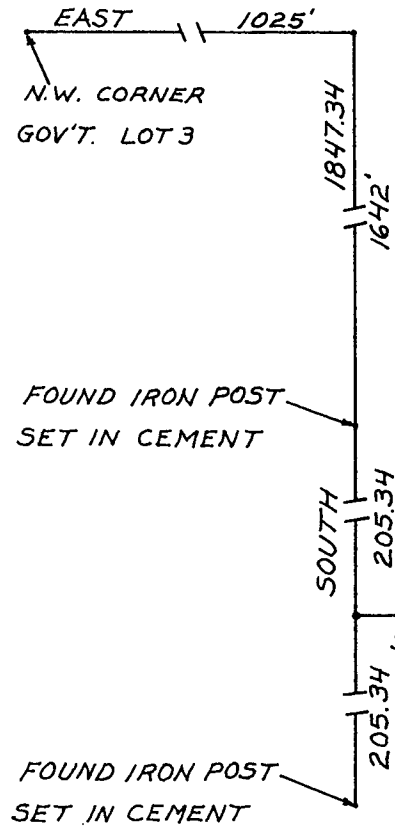
#1822

CSM # 000302

Gov. Lot 2 16-44-9
Gov. Lot 3

UNOFFICIAL COPY 112

Contact the Bayfield County Register of Deeds Office to obtain an official copy of this document.

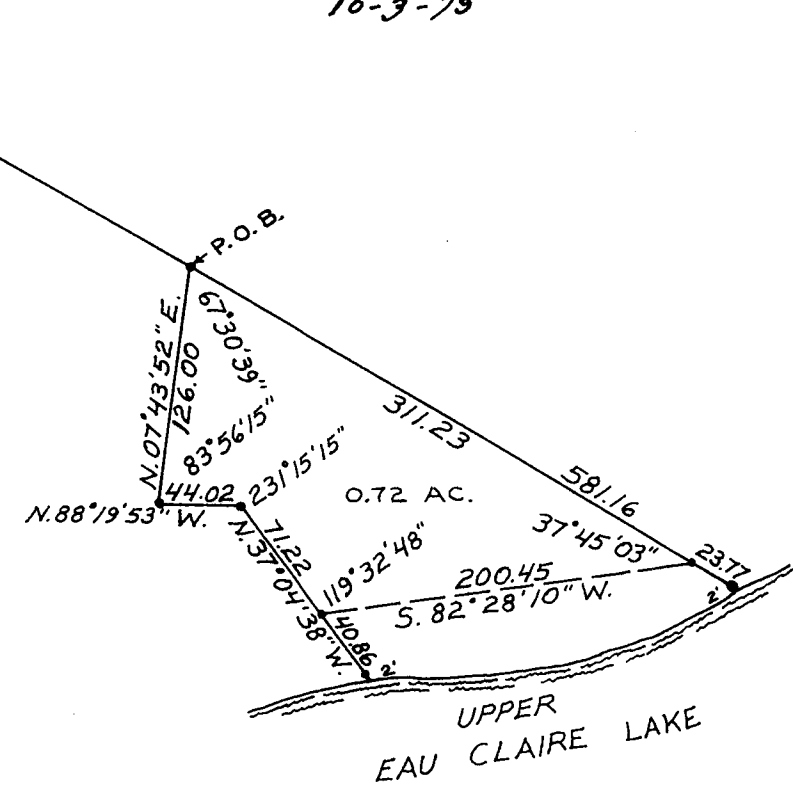


SCALE : 1" = 100 FEET

- 1 1/2" IRON PIPE IN PLACE
- 1" x 30" IRON PIPE PLACED

SECTION 16-44-9

Robert A. Swanson
10-3-79



PA 2 00

UNOFFICIAL COPY

Contact the Bayfield County Register of Deeds
Office to obtain an official copy of this document.

1. Point of Beginning: Beginning at Section 16, Township 16 North, Range 7 West, Town of Larnes, Bayfield County, Wisconsin, containing the following:
Commencing at the northeast corner of Gov't Lot 3, Section 16-44-9; thence west 1125 feet more-or-less to a point in Upper Eau Claire Lake; thence south on a line 104,258 feet to a 1" iron pipe; thence west on a line 104,258 feet to an iron pipe; thence south on a line 104,258 feet to an iron pipe which is the point-of-beginning.

Thence continuing along side of an iron pipe, said iron pipe line 20 feet more-or-less from the water's edge;

Thence south on a line 104,258 feet to an iron pipe, on a mean of line on Upper Eau Claire Lake; said iron pipe line 20 feet north-or-less from the water's edge;

Thence west on a line 104,258 feet to an iron pipe;

Thence south on a line 104,258 feet to an iron pipe;

Thence west on a line 104,258 feet to an iron pipe which is the point-of-beginning.

Said parcel of land contains all the land lying between the nearest line to the water's edge, above and the parcel line extended.

Said parcel is located in the Township of Larnes and is subject to assessment and taxation as such.

APPROVED
Bayfield County Zoning Comm.
By David K Lee
Date 1 Nov 1979 Appl# _____ Map# _____



Robert R. Swanson
10-3-79