

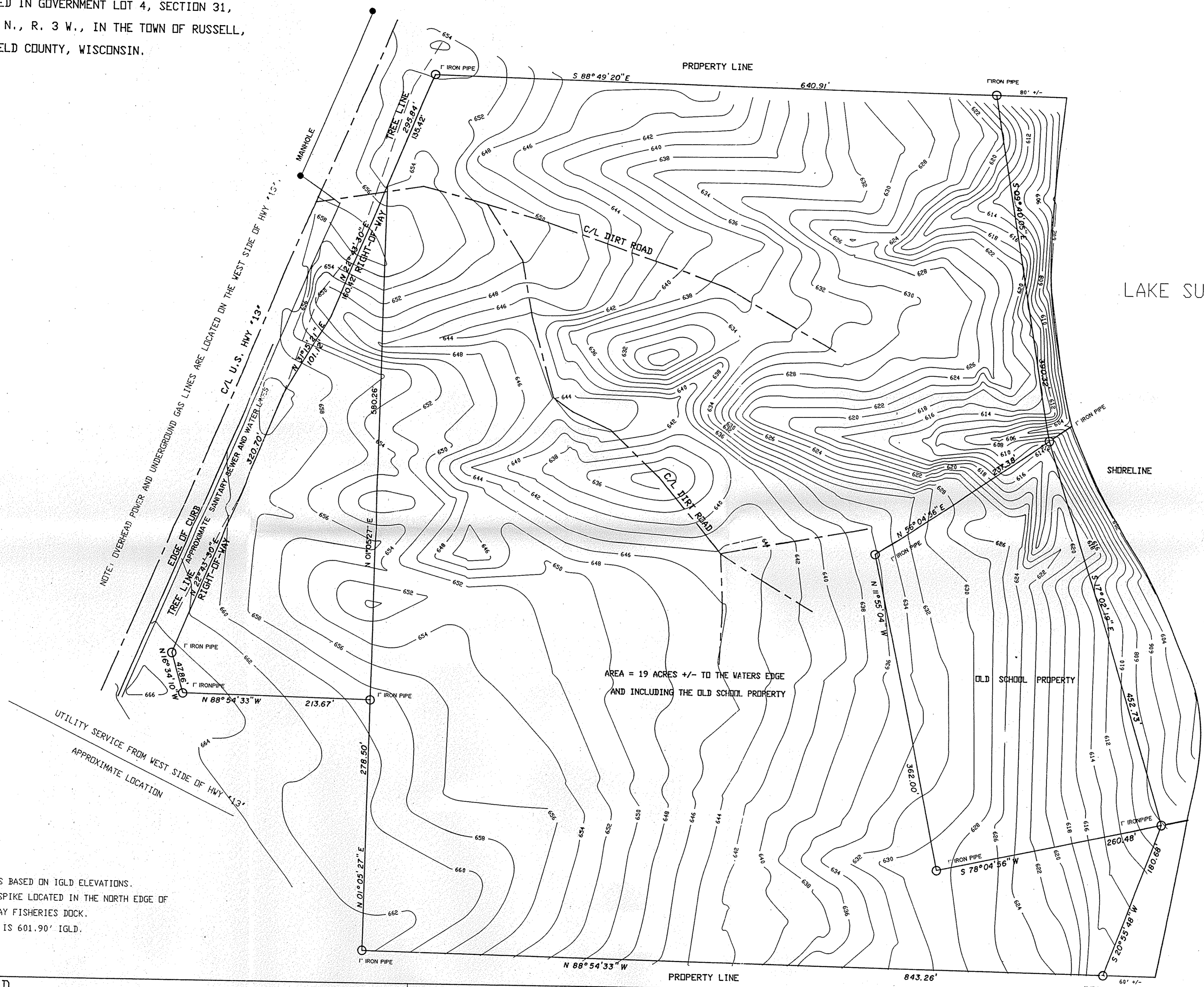
31-51-3

GL 4

#4109

RED CLIFF CASINO PROJECT

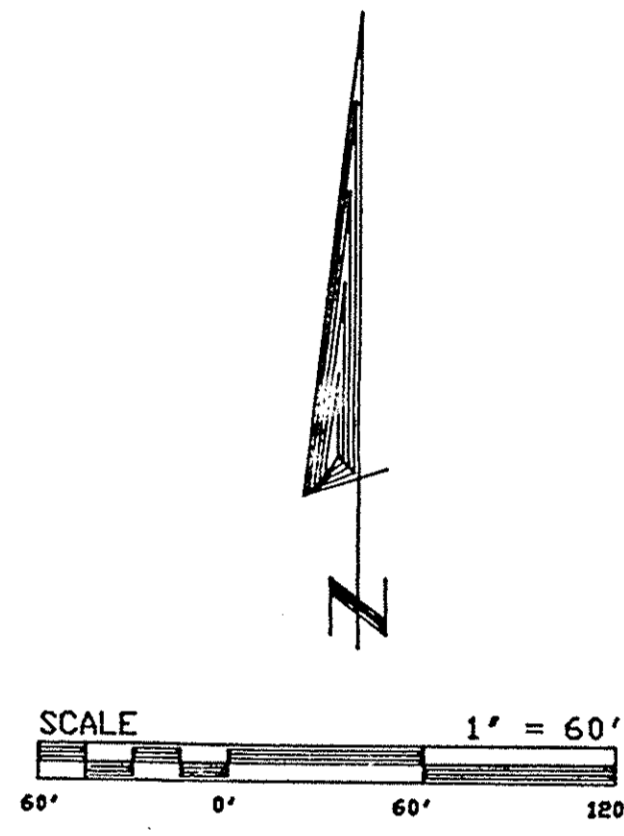
LOCATED IN GOVERNMENT LOT 4, SECTION 31,
T. 51 N., R. 3 W., IN THE TOWN OF RUSSELL,
BAYFIELD COUNTY, WISCONSIN.



AREA = 19 ACRES +/- TO THE WATERS EDGE
AND INCLUDING THE OLD SCHOOL PROPERTY

OLD SCHOOL PROPERTY

LAKE SUPERIOR



THIS SURVEY IS BASED ON IGLD ELEVATIONS.
TAKEN FROM A SPIKE LOCATED IN THE NORTH EDGE OF
THE BUFFALO BAY FISHERIES DOCK.
BM. ELEVATION IS 601.90' IGLD.

SURVEYORS CERTIFICATE:

I, Larry T. Nelson, Registered Land Surveyor in the state of Wisconsin, hereby certify:

That on the order of JIM BELISLE, I have made a topographical survey of a parcel of land located in Gov't Lot 4, Section 31, T. 50 N., R. 3 W., in the Town of Bayfield, Bayfield County, Wisconsin.

That said map is a true representation of the survey I have conducted of the property; and

That said survey is correct to the best of my knowledge and belief.

----- Dated this ____ Day of _____, 1993.

Larry T. Nelson - RLS
Wis. Reg. No. s - 1276

LEGEND

- MONUMENT, AS NOTED, FOUND
- 1 1/4" X 24" IRON PIPE SET

CLIENT: JIM BELISLE
PROJECT NO: 091/93
SCALE: 1" = 60'
DATE: 11/4/93

REVISION	DATE

NELSON
SURVEYING AND
ENGINEERING, INC.

101 WEST MAIN STREET
FIRST FLOOR
ASHLAND, WI 54806
(715)-682-2692

SHEET 1 OF 1 SHEETS

LAND SURVEYING AND PROFESSIONAL ENGINEERING SERVICES

NB. NO. DATA COLLECTOR

MAP NO: 2445